

**EXHIBIT A – Pricing Page**  
**ARFQ DCR2500000063**

Section	Description	Unit of Measure	Estimated Quantity	Unit Cost	Extended Cost
3.1.1	One New Groen FT-80, 80-gallon Steam Kettle – Stationary, 2/3 Jacket Direct Steam or equal	E/A	1	19589.85	19589.85
3.1.2	One New Groen FT-40, 40-gallon Steam Kettle – Stationary 2/3 Jacket Direct Steam or equal	E/A	1	15778.8	15778.8
3.1.3	One New Crown Steam DC-3 Direct Steam Pressure Steamer Full Size Pan Capacity or equal	E/A	1	24670.45	24670.45
<b>Overall Total Cost</b>				<b>\$</b>	<b>60,039.10</b>

Quantities are Estimated for Bid purposes ONLY. This is not a guaranteed sale.

Please note: This information is being captured for auditing purposes.

Vendor must complete the pricing page in full as failure to complete the Pricing Page in its entirety will result in Vendor's bid being disqualified.

The Pricing Page contains a list of the Contract Services and estimated service volume. The estimated purchase volume for each item represents the approximate volume of anticipated purchases only. No future use of the Contract or any individual item is guaranteed or implied

Any product or service not on the Agency provided Pricing Page will not be allowable. The state cannot accept alternate pricing pages, failure to use Exhibit A Pricing Pages will lead to disqualification of vendors bid.

Vendor should type or electronically enter the information into the Pricing Page to prevent errors in the evaluation.

**BIDDER /VENDOR INFORMATION:**

Vendor Name: \_\_\_\_\_  
 Address: \_\_\_\_\_

Chefs Depot  
 67 NY-59

City, St. Zip:	Spring Valley, NY, 10977
Phone No.:	845-414-2402
Email Address:	Yitzis@culinarydepot.com

*Katherine Gebron*

Vendor Signature:

11/26/2024

Date:



State of West Virginia  
Agency Request for Quote

<b>Proc Folder:</b> 1580540			<b>Reason for Modification:</b>
<b>Doc Description:</b> Huttonsville Jail - one-time purchase of Kitchen Equipment			
<b>Proc Type:</b> Agency Purchase Order			
<b>Date Issued</b>	<b>Solicitation Closes</b>	<b>Solicitation No</b>	<b>Version</b>
2024-12-09	2024-12-26 10:30	ARFQ 0608 DCR2500000063	1

**BID RECEIVING LOCATION**

**VENDOR**

**Vendor Customer Code:**

**Vendor Name:** Chefs Depot

**Address:** 67 NY-59

**Street:** 67 NY-59

**City:** Spring Valley

**State:** NY **Country:** US **Zip:** 10977

**Principal Contact:**

**Vendor Contact Phone:** 845-414-2402 **Extension:**

**FOR INFORMATION CONTACT THE BUYER**  
 Wassef Maazaoui  
 304-558-9093  
 wassef.maazaoui@wv.gov

**Vendor Signature X** **FEIN#** 201125349 **DATE** 12/11/24

All offers subject to all terms and conditions contained in this solicitation

**ADDITIONAL INFORMATION**

The West Virginia Division of Administrative Services is soliciting bids on behalf of the West Virginia Division of Corrections and Rehabilitation, Huttonsville Correctional Center & Jail to establish a contract for the one-time purchase of Kitchen Equipment or equal.

INVOICE TO		SHIP TO	
DIVISION OF ADMINISTRATIVE SERVICES 1124 SMITH STREET SECOND FLOOR CHARLESTON US	WV	HUTTONSVILLE CORRECTIONAL CENTER PO BOX 1 109 HCC BLVD HUTTONSVILLE US	WV

Line	Comm Ln Desc	Qty	Unit Issue	Unit Price	Total Price
1	Groen FT-80, 80gallon Steam Kettle - Stationary or equal	1.00000	EA		

Comm Code	Manufacturer	Specification	Model #
52141500			

**Extended Description:**  
One New Groen FT-80, 80-gallon Steam Kettle - Stationary, 2/3 Jacket Direct Steam or equal

INVOICE TO		SHIP TO	
DIVISION OF ADMINISTRATIVE SERVICES 1124 SMITH STREET SECOND FLOOR CHARLESTON US	WV	HUTTONSVILLE CORRECTIONAL CENTER PO BOX 1 109 HCC BLVD HUTTONSVILLE US	WV

Line	Comm Ln Desc	Qty	Unit Issue	Unit Price	Total Price
2	Groen FT-40, 40-gallon Steam Kettle - Stationary or equal	1.00000	EA		

Comm Code	Manufacturer	Specification	Model #
52141500			

**Extended Description:**  
One New Groen FT-40, 40-gallon Steam Kettle - Stationary 2/3 Jacket Direct Steam or equal



INVOICE TO		SHIP TO	
DIVISION OF ADMINISTRATIVE SERVICES 1124 SMITH STREET SECOND FLOOR CHARLESTON US	WV	HUTTONSVILLE CORRECTIONAL CENTER PO BOX 1 109 HCC BLVD HUTTONSVILLE US	WV

Line	Comm Ln Desc	Qty	Unit Issue	Unit Price	Total Price
3	Crown Steam DC-3 Direct Steam Pressure Steamer Full Size	1.00000	EA		

Comm Code	Manufacturer	Specification	Model #
52141500			

**Extended Description:**

One New Crown Steam DC-3 Direct Steam Pressure Steamer Full Size Pan Capacity or equal

**SCHEDULE OF EVENTS**

<u>Line</u>	<u>Event</u>	<u>Event Date</u>
1	Questions due by 2:00pm EST	2024-12-17

	Document Phase	Document Description	Page
DCR2500000063	Final	Huttonsville Jail - one-time purchase of Kitchen Equipment	4

## INSTRUCTIONS TO VENDORS SUBMITTING BIDS

**1. REVIEW DOCUMENTS THOROUGHLY:** The attached documents contain a solicitation for bids. Please read these instructions and all documents attached in their entirety. These instructions provide critical information about requirements that if overlooked could lead to disqualification of a Vendor's bid. All bids must be submitted in accordance with the provisions contained in these instructions and the Solicitation. Failure to do so may result in disqualification of Vendor's bid.

**2. MANDATORY TERMS:** The Solicitation may contain mandatory provisions identified by the use of the words "must," "will," and "shall." Failure to comply with a mandatory term in the Solicitation will result in bid disqualification.

**2A. PREBID MEETING:** The item identified below shall apply to this Solicitation.

A pre-bid meeting will not be held prior to bid opening.

A Non-Mandatory PRE-BID meeting will be held at the following place and time:

A MANDATORY PRE-BID meeting will be held at the following place and time:

All Vendors submitting a bid must attend the mandatory pre-bid meeting. Failure to attend the mandatory pre-bid meeting shall result in disqualification of the Vendor's bid. No one individual is permitted to represent more than one vendor at the pre-bid meeting. Any individual that does attempt to represent two or more vendors will be required to select one vendor to which the individual's attendance will be attributed. The vendors not selected will be deemed to have not attended the pre-bid meeting unless another individual attended on their behalf. The required attribution of attendance to a single vendor should be addressed during the pre-bid but may occur at any time deemed appropriate by the Agency.

An attendance sheet provided at the pre-bid meeting shall serve as the official document verifying attendance. Any person attending the pre-bid meeting on behalf of a Vendor must list on the attendance sheet his or her name and the name of the Vendor he or she is representing.

Additionally, the person attending the pre-bid meeting should include the Vendor's E-Mail address, phone number, and Fax number on the attendance sheet. It is the Vendor's responsibility to locate the attendance sheet and provide the required information. Failure to complete the attendance sheet as required may result in disqualification of Vendor's bid.

All Vendors should arrive prior to the starting time for the pre-bid. Vendors who arrive after the starting time but prior to the end of the Prebid will be permitted to sign in but are charged with knowing all matters discussed at the Prebid.

Questions submitted at least five business days prior to a scheduled pre-bid will be discussed at the pre-bid meeting if possible. Any discussions or answers to questions at the pre-bid meeting are preliminary in nature and are non-binding. Official and binding answers to questions will be published in a written addendum to the Solicitation prior to bid opening.

**3. VENDOR QUESTION DEADLINE:** Vendors may submit questions relating to this Solicitation to the Agency Contact. Questions must be submitted in writing. All questions must be submitted on or before the date listed below and to the address listed below to be considered. A written response will be published in a Solicitation addendum if a response is possible and appropriate. Non-written discussions, conversations, or questions and answers regarding this Solicitation are preliminary in nature and are nonbinding.

Submitted emails should have the solicitation number in the subject line.

Question Submission Deadline: 12/17/ 2024 @ 2:00 PM EST

Submit Questions to: Wassef Maazaoui

Email: [wassef.maazaoui@wv.gov](mailto:wassef.maazaoui@wv.gov)

**4. BID SUBMISSION:** All bids must be submitted electronically through wvOASIS or signed and delivered by the Vendor to the Agency on or before the date and time of the bid opening. Any bid received by the Agency staff is considered to be in the possession of the Agency and will not be returned for any reason.

#### **4A. BID SUBMISSION**

A bid that is not submitted electronically through wvOASIS should contain the information listed below on the face of the envelope or the bid may be rejected by the Agency.

SEALED BID: Yes

BUYER: Wassef Maazaoui email: [wassef.maazaoui@wv.gov](mailto:wassef.maazaoui@wv.gov)

SOLICITATION NUMBER: DCR2500000063

BID OPENING DATE: 12/26/2024

BID OPENING TIME: 10:30am

FAX NUMBER: 304-558-1426

5. **ADDENDUM ACKNOWLEDGEMENT:** Changes or revisions to this Solicitation will be made by an official addendum issued by the Agency. Vendors should acknowledge receipt of all addenda issued with this Solicitation by completing an Addendum Acknowledgment Form, a copy of which is included herewith. Failure to acknowledge addenda may result in bid disqualification. The addendum acknowledgement should be submitted with the bid to expedite document processing.

6. **BID FORMATTING:** Vendor should type or electronically enter the information onto its bid to prevent errors in the evaluation. Failure to type or electronically enter the information may result in bid disqualification.

7. **ALTERNATE MODEL OR BRAND:** Unless the box below is checked, any model, brand, or specification listed in this Solicitation establishes the acceptable level of quality only and is not intended to reflect a preference for, or in any way favor, a particular brand or vendor. Vendors may bid alternates to a listed model or brand provided that the alternate is at least equal to the model or brand and complies with the required specifications. The equality of any alternate being bid shall be determined by the State at its sole discretion. Any Vendor bidding an alternate model or brand should clearly identify the alternate items in its bid and should include manufacturer's specifications, industry literature, and/or any other relevant documentation demonstrating the equality of the alternate items. Failure to provide information for alternate items may be grounds for rejection of a Vendor's bid.

This Solicitation is based upon a standardized commodity. Vendors are expected to bid the standardized commodity identified. Failure to bid the standardized commodity will result in your firm's bid being rejected.

8. **EXCEPTIONS AND CLARIFICATIONS:** The Solicitation contains the specifications that shall form the basis of a contractual agreement. Vendor shall clearly mark any exceptions, clarifications, or other proposed modifications in its bid. Exceptions to, clarifications of, or modifications of a requirement or term and condition of the Solicitation may result in bid disqualification.

9. **REGISTRATION:** Prior to Contract award, the apparent successful Vendor must be properly registered with the Agency and must have paid the \$125 fee, if applicable.

10. **UNIT PRICE:** Unit prices shall prevail in cases of a discrepancy in the Vendor's bid.

11. **ELECTRONIC FILE ACCESS RESTRICTIONS:** Vendor must ensure that its submission in wvOASIS can be accessed and viewed by the Agency staff immediately upon bid opening. The Agency will consider any file that cannot be immediately access and viewed at the time of the bid opening (such as, encrypted files, password protected files, or incompatible files) to be blank or incomplete as context requires, and therefore unacceptable. A vendor will not be permitted to unencrypt files, remove password protections, or resubmit documents after bid opening to make a file viewable if those documents are required with the bid. A Vendor may be required to provide document passwords or removed access restrictions to allow the Agency to print or electronically save documents provided that those documents are viewable by the Agency prior to obtaining the password or removing the access restriction.



**12. NON-RESPONSIBLE:** The Director of Administrative Services reserves the right to reject the bid of any vendor as non-responsible, when the Director determines that the vendor submitting the bid does not have the capability to fully perform or lacks the integrity and reliability to assure good-faith performance.

**13. ACCEPTANCE/REJECTION:** The State may accept or reject any bid in whole, or in part.

**14. YOUR SUBMISSION IS A PUBLIC DOCUMENT:** Vendor's entire response to the Solicitation and the resulting Contract are public documents. As public documents, they will be disclosed to the public following the bid/proposal opening or award of the contract, Freedom of Information Act in West Virginia Code §§ 29B-1-1 et seq.

**DO NOT SUBMIT MATERIAL YOU CONSIDER TO BE CONFIDENTIAL, A TRADE SECRET, OR OTHERWISE NOT SUBJECT TO PUBLIC DISCLOSURE.**

Submission of any bid, proposal, or other document to the Agency constitutes your explicit consent to the subsequent public disclosure of the bid, proposal, or document. The Agency will disclose any document labeled "confidential," "proprietary," "trade secret," "private," or labeled with any other claim against public disclosure of the documents, to include any "trade secrets" as defined by West Virginia Code § 47-22-1 et seq. All submissions are subject to public disclosure without notice.

## **GENERAL TERMS AND CONDITIONS:**

**1. CONTRACTUAL AGREEMENT:** Issuance of an Award Document signed by the Agency and approved as to form by the Attorney General's office, if required, constitutes acceptance of this Contract made by and between the State of West Virginia and the Vendor. Vendor's signature on its bid signifies Vendor's agreement to be bound by and accept the terms and conditions contained in this Contract.

**2. DEFINITIONS:** As used in this Solicitation/Contract, the following terms shall have the meanings attributed to them below. Additional definitions may be found in the specifications included with this Solicitation/Contract.

**2.1. "Agency" or "Agencies"** means the agency, board, commission, or other entity of the State of West Virginia that is identified on the first page of the Solicitation or any other public entity seeking to procure goods or services under this Contract.

**2.2. "Bid" or "Proposal"** means the vendors submitted response to this solicitation.

**2.3. "Contract"** means the binding agreement that is entered into between the State and the Vendor to provide the goods or services requested in the Solicitation.

**2.4. "Director"** means the Director of the West Virginia Division of Administrative Services.

**2.5. "Award Document"** means the document signed by the Agency that identifies the Vendor as the contract holder.

**2.6. "Solicitation"** means the official notice of an opportunity to supply the State with goods or services.

**2.7. "State"** means the State of West Virginia and/or any of its agencies, commissions, boards, etc. as context requires.

**2.8. "Vendor" or "Vendors"** means any entity submitting a bid in response to the Solicitation, the entity that has been selected as the lowest responsible bidder, or the entity that has been awarded the Contract as context requires.

3. **CONTRACT TERM; RENEWAL; EXTENSION:** The term of this Contract shall be determined in accordance with the category that has been identified as applicable to this Contract below:

**Term Contract**

**Initial Contract Term:** This Contract becomes effective on the date indicated on the awarded contract and extends for a period of \_\_\_\_\_ year(s).

**Renewal Term:** This Contract may be renewed upon the mutual written consent of the Agency, and the Vendor. Any request for renewal should be delivered to the Agency thirty (30) days prior to the expiration date of the initial contract term or appropriate renewal term. A Contract renewal shall be in accordance with the terms and conditions of the original contract. Unless otherwise specified below, renewal of this Contract is limited to \_\_\_\_\_ successive one (1) year periods or multiple renewal periods of less than one year, provided that the multiple renewal periods do not exceed the total number of months available in all renewal years combined. Automatic renewal of this Contract is prohibited.

**Alternate Renewal Term** – This contract may be renewed for \_\_\_\_\_ successive \_\_\_\_\_ year periods or shorter periods provided that they do not exceed the total number of months contained in all available renewals. Automatic renewal of this Contract is prohibited. Renewals must be approved by the Vendor and Agency.

**Delivery Order Limitations:** In the event that this contract permits delivery orders, a delivery order may only be issued during the time this Contract is in effect. Any delivery order issued within one year of the expiration of this Contract shall be effective for one year from the date the delivery order is issued. No delivery order may be extended beyond one year after this Contract has expired.

**Fixed Period Contract:** This Contract becomes effective upon Vendor's receipt of the notice to proceed and must be completed within \_\_\_\_\_ days.

**Fixed Period Contract with Renewals:** This Contract becomes effective upon Vendor's receipt of the notice to proceed and part of the Contract more fully described in the attached specifications must be completed within \_\_\_\_\_ days. Upon completion of the work covered by the preceding sentence, the vendor agrees that maintenance, monitoring, or warranty services will be provided for \_\_\_\_\_ year(s) thereafter.

**One Time Purchase:** The term of this Contract shall run from the issuance of the Award Document until all of the goods contracted for have been delivered, but in no event will this Contract extend for more than one fiscal year.

**Other:** See attached.

4. **NOTICE TO PROCEED:** Vendor shall begin performance of this Contract immediately upon receiving notice to proceed unless otherwise instructed by the Agency. Unless otherwise specified, the fully executed Award Document will be considered notice to proceed.

5. **QUANTITIES:** The quantities required under this Contract shall be determined in accordance with the category that has been identified as applicable to this Contract below.

**Open End Contract:** Quantities listed in this Solicitation are approximations only, based on estimates supplied by the Agency. It is understood and agreed that the Contract shall cover the quantities actually ordered for delivery during the term of the Contract, whether more or less than the quantities shown.

**Service:** The scope of the service to be provided will be more clearly defined in the specifications included herewith.

**Combined Service and Goods:** The scope of the service and deliverable goods to be provided will be more clearly defined in the specifications included herewith.

**One Time Purchase:** This Contract is for the purchase of a set quantity of goods that are identified in the specifications included herewith. Once those items have been delivered, no additional goods may be procured under this Contract without an appropriate change order approved by the Vendor, Agency, and Attorney General's office.

6. **REQUIRED DOCUMENTS:** All of the items checked below must be provided to the Agency by the Vendor as specified below.

**PERFORMANCE BOND:** The apparent successful Vendor shall provide a performance bond in the amount of 100% of the contract value. The performance bond must be received by the Agency prior to Contract award.

**LABOR/MATERIAL PAYMENT BOND:** The apparent successful Vendor shall provide a labor/material payment bond in the amount of 100% of the Contract value. The labor/material payment bond must be received by the Agency prior to Contract award.

**MAINTENANCE BOND:** The apparent successful Vendor shall provide a two (2) year maintenance bond covering the roofing system. The maintenance bond must be issued and delivered to the Agency prior to Contract award.

**LICENSE(S) / CERTIFICATIONS / PERMITS:** In addition to anything required under the Section of the General Terms and Conditions entitled Licensing, the apparent successful Vendor shall furnish proof of the following licenses, certifications, and/or permits upon request and in a form acceptable to the State. The request may be prior to or after the contract award at the State's sole discretion.

The apparent successful Vendor shall also furnish proof of any additional licenses or certifications contained in the specifications regardless of whether or not that requirement is listed above.

**7. INSURANCE:** The apparent successful Vendor shall furnish proof of the insurance identified by a checkmark below and must include the State as an additional insured on each policy prior to Contract award. The insurance coverage identified below must be maintained throughout the life of this contract. Thirty (30) days prior to the expiration of the insurance policies Vendor shall provide the Agency with proof that the insurance mandated herein has been continued. Vendor must also provide Agency with immediate notice of any changes in its insurance policies, including but not limited to, policy cancelation, policy reduction, or change in insurers. The apparent successful Vendor shall also furnish proof of any additional insurance requirements contained in the specifications prior to Contract award regardless of whether or not that insurance requirement is listed in this section.



Vendor must maintain:

- Commercial General Liability Insurance** in at least an amount of: \$1,000,000.00 per occurrence.
- Automobile Liability Insurance** in at least an amount of: \$1,000,000.00 per occurrence.
- Professional/Malpractice/Errors and Omission Insurance** in at least an amount of: \_\_\_\_\_ per occurrence. Notwithstanding the forgoing, Vendor's are not required to list the State as an additional insured for this type of policy.
- Commercial Crime and Third-Party Fidelity Insurance** in an amount of: \_\_\_\_\_ per occurrence.
- Cyber Liability Insurance** in the amount of: \_\_\_\_\_ per occurrence.
- Builders Risk Insurance** in an amount equal to 100% of the amount of the Contract.
- Pollution Insurance** in the amount of: \_\_\_\_\_ per occurrence.
- Aircraft Liability** in the amount of: \_\_\_\_\_ per occurrence.

**8. WORKERS' COMPENSATION INSURANCE:** The apparent successful Vendor shall comply with laws relating to workers' compensation, shall maintain workers' compensation insurance when required, and shall furnish proof of workers' compensation insurance upon request.

9. **LIQUIDATED DAMAGES:** This clause shall in no way be considered exclusive and shall not limit the State or Agency's right to pursue any other available remedy. Vendor shall pay liquidated damages in the amount specified below or as described in the specifications:

\_\_\_\_\_ for \_\_\_\_\_

Liquidated Damages Contained in the Specifications

10. **ACCEPTANCE:** Vendor's signature on its bid, or on the certification and signature page, constitutes an offer to the State that cannot be unilaterally withdrawn, signifies that the product or service proposed by vendor meets the mandatory requirements contained in the Solicitation for that product or service, unless otherwise indicated, and signifies acceptance of the terms and conditions contained in the Solicitation unless otherwise indicated.

11. **PRICING:** The pricing set forth herein is firm for the life of the Contract, unless specified elsewhere within this Solicitation/Contract by the State. A Vendor's inclusion of price adjustment provisions in its bid, without an express authorization from the State in the Solicitation to do so, may result in bid disqualification. Notwithstanding the foregoing, Vendor must extend any publicly advertised sale price to the State and invoice at the lower of the contract price or the publicly advertised sale price.

12. **PAYMENT IN ARREARS:** Payment in advance is prohibited under this Contract. Payment may only be made after the delivery and acceptance of goods or services. The Vendor shall submit invoices, in arrears.

13. **PAYMENT METHODS:** Vendor must accept payment by electronic funds transfer or P-Card. (The State of West Virginia's Purchasing Card program, administered under contract by a banking institution, processes payment for goods and services through state designated credit cards.)

14. **ADDITIONAL FEES:** Vendor is not permitted to charge additional fees or assess additional charges that were not either expressly provided for in the solicitation published by the State of West Virginia or included in the unit price or lump sum bid amount that Vendor is required by the solicitation to provide. Including such fees or charges as notes to the solicitation may result in rejection of vendor's bid. Requesting such fees or charges be paid after the contract has been awarded may result in cancellation of the contract.

15. **TAXES:** The Vendor shall pay any applicable sales, use, personal property or any other taxes arising out of this Contract and the transactions contemplated thereby. The State of West Virginia is exempt from federal and state taxes and will not pay or reimburse such taxes.

16. **FUNDING:** This Contract shall continue for the term stated herein, contingent upon funds being appropriated by the Legislature or otherwise being made available. In the event funds are not appropriated or otherwise made available, this Contract becomes void and of no effect beginning on July 1 of the fiscal year for which funding has not been appropriated or otherwise made available.

**17. CANCELLATION:** The State reserves the right to cancel this Contract immediately upon written notice to the vendor if the materials or workmanship supplied do not conform to the specifications contained in the Contract. The Agency may also cancel any purchase or Contract upon 30 days written notice to the Vendor.

**18. TIME:** Time is of the essence with regard to all matters of time and performance in this Contract.

**19. APPLICABLE LAW:** This Contract is governed by and interpreted under West Virginia law without giving effect to its choice of law principles. Any information provided in specification manuals, or any other source, verbal or written, which contradicts or violates the West Virginia Constitution, West Virginia Code or West Virginia Code of State Rules is void and of no effect.

**19A. VENUE:** All legal actions for damage brought by Vendor against the State shall be brought in the West Virginia Claims Commission. Other causes of action must be brought in the West Virginia court authorized by statute to exercise jurisdiction over it.

**20. COMPLIANCE WITH LAWS:** Vendor shall comply with all applicable federal, state, and local laws, regulations, and ordinances. By submitting a bid, Vendor acknowledges that it has reviewed, understands, and will comply with all applicable laws, regulations, and ordinances. Vendor shall notify all subcontractors providing commodities or services related to this Contract that as subcontractors, they too are required to comply with all applicable laws, regulations, and ordinances.

**21. ARBITRATION:** Any references made to arbitration contained in this Contract, Vendor's bid, or in any American Institute of Architects documents pertaining to this Contract are hereby deleted, void, and of no effect.

**22. MODIFICATIONS:** This writing is the parties' final expression of intent. Notwithstanding anything contained in this Contract, to the contrary, no modification of this Contract shall be binding without mutual written consent of the Agency and the Vendor.

**23. WAIVER:** The failure of either party to insist upon a strict performance of any of the terms or provision of this Contract, or to exercise any option, right, or remedy herein contained, shall not be construed as a waiver or a relinquishment for the future of such term, provision, option, right, or remedy, but the same shall continue in full force and effect. Any waiver must be expressly stated in writing and signed by the waiving party.

**24. SUBSEQUENT FORMS:** The terms and conditions contained in this Contract shall supersede any and all subsequent terms and conditions which may appear on any form documents submitted by Vendor to the Agency such as price lists, order forms, invoices, sales agreements, or maintenance agreements, and includes internet websites or other electronic documents. Acceptance or use of Vendor's forms does not constitute acceptance of the terms and conditions contained thereon.

**25. ASSIGNMENT:** Neither this Contract nor any monies due, or to become due hereunder, may be assigned by the Vendor without the express written consent of the Agency and any other government agency or office that may be required to approve such assignments.

**26. WARRANTY:** The Vendor expressly warrants that the goods and/or services covered by this Contract will: (a) conform to the specifications, drawings, samples, or other description furnished or specified by the Agency; (b) be merchantable and fit for the purpose intended; and (c) be free from defects in material and workmanship.

**27. STATE EMPLOYEES:** State employees are not permitted to utilize this Contract for personal use and the Vendor is prohibited from permitting or facilitating the same.

**28. PRIVACY, SECURITY, AND CONFIDENTIALITY:** The Vendor agrees that it will not disclose to anyone, directly or indirectly, any such personally identifiable information or other confidential information gained from the Agency, unless the individual who is the subject of the information consents to the disclosure in writing or the disclosure is made pursuant to the Agency's policies, procedures, and rules. Vendor further agrees to comply with the Confidentiality Policies and Information Security Accountability Requirements, set forth in:  
<http://www.state.wv.us/admin/purchase/privacy/default.html>

**28A. CONFIDENTIALITY POLICIES AND INFORMATION SECURITY**

**ACCOUNTABILITY:** The Vendor agrees to adhere to the Confidentiality Policies and Information Accountability Requirements set forth in the link below. At the Agencies sole discretion, the Agency can require the Vendor and its employees to execute the confidentiality agreement.  
<http://www.state.wv.us/admin/purchase/privacy/default.html>

**29. YOUR SUBMISSION IS A PUBLIC DOCUMENT:** Vendor's entire response to the Solicitation and the resulting Contract are public documents. As public documents, they will be disclosed to the public following the bid/proposal opening or award of the contract, as required by the competitive bidding laws of the State of West Virginia and the Freedom of Information Act West Virginia Code §§ 29B-1-1 et seq.

**DO NOT SUBMIT MATERIAL YOU CONSIDER TO BE CONFIDENTIAL, A TRADE SECRET, OR OTHERWISE NOT SUBJECT TO PUBLIC DISCLOSURE.**

Submission of any bid, proposal, or other document to the Agency constitutes your explicit consent to the subsequent public disclosure of the bid, proposal, or document. The Agency will disclose any document labeled "confidential," "proprietary," "trade secret," "private," or labeled with any other claim against public disclosure of the documents, to include any "trade secrets" as defined by West Virginia Code § 47-22-1 et seq. All submissions are subject to public disclosure without notice.

**30. LICENSING:** In accordance with applicable law, Vendor must be licensed and in good standing in accordance with any and all state and local laws and requirements by any state or local agency of West Virginia, including, but not limited to, the West Virginia Secretary of State's Office, the West Virginia Tax Department, West Virginia Insurance Commission, or any other state agency or political subdivision. Obligations related to political subdivisions may include, but are not limited to, business licensing, business and occupation taxes, inspection compliance, permitting, etc. Upon request, the Vendor must provide all necessary releases to obtain information to enable the Agency to verify that the Vendor is licensed and in good standing with the above entities. Vendor shall notify all subcontractors providing commodities or services related to this Contract that as subcontractors, they too are required to be licensed, in good standing, and up to date on all state and local obligations as described in this section.



**31. ANTITRUST:** In submitting a bid to, signing a contract with, or accepting an Award Document from any agency of the State of West Virginia, the Vendor agrees to convey, sell, assign, or transfer to the State of West Virginia all rights, title, and interest in and to all causes of action it may now or hereafter acquire under the antitrust laws of the United States and the State of West Virginia for price fixing and/or unreasonable restraints of trade relating to the particular commodities or services purchased or acquired by the State of West Virginia. Such assignment shall be made and become effective at the time the purchasing agency tenders the initial payment to Vendor.

**32. VENDOR CERTIFICATIONS:** By signing its bid or entering into this Contract, Vendor certifies (1) that its bid or offer was made without prior understanding, agreement, or connection with any corporation, firm, limited liability company, partnership, person or entity submitting a bid or offer for the same material, supplies, equipment or services; (2) that its bid or offer is in all respects fair and without collusion or fraud; (3) that this Contract is accepted or entered into without any prior understanding, agreement, or connection to any other entity that could be considered a violation of law; and (4) that it has reviewed this Solicitation in its entirety; understands the requirements, terms and conditions, and other information contained herein. Vendor's signature on its bid or offer also affirms that neither it nor its representatives have any interest, nor shall acquire any interest, direct or indirect, which would compromise the performance of its services hereunder. Any such interests shall be promptly presented in detail to the Agency. The individual signing this bid or offer on behalf of Vendor certifies that he or she is authorized by the Vendor to execute this bid or offer, or any documents related thereto on

Vendor's behalf: that he or she is authorized to bind the Vendor in a contractual relationship; and that, to the best of his or her knowledge, the Vendor has properly registered with any State agency that may require registration.

**33. VENDOR RELATIONSHIP:** The relationship of the Vendor to the State shall be that of an independent contractor and no principal-agent relationship or employer-employee relationship is contemplated or created by this Contract. The Vendor as an independent contractor is solely liable for the acts and omissions of its employees and agents. Vendor shall be responsible for selecting, supervising, and compensating any and all individuals employed pursuant to the terms of this Solicitation and resulting contract. Neither the Vendor, nor any employees or subcontractors of the Vendor, shall be deemed to be employees of the State for any purpose whatsoever. Vendor shall be exclusively responsible for payment of employees and contractors for all wages and salaries, taxes, withholding payments, penalties, fees, fringe benefits, professional liability insurance premiums, contributions to insurance and pension, or other deferred compensation plans, including but not limited to, Workers' Compensation and Social Security obligations, licensing fees, etc. and the filing of all necessary documents, forms, and returns pertinent to all of the foregoing. Vendor shall hold harmless the State and shall provide the State and Agency with a defense against any and all claims including, but not limited to, the foregoing payments, withholdings, contributions, taxes, Social Security taxes, and employer income tax returns.



**34. INDEMNIFICATION:** The Vendor agrees to indemnify, defend, and hold harmless the State and the Agency, their officers, and employees from and against: (1) Any claims or losses for services rendered by any subcontractor, person, or firm performing or supplying services, materials, or supplies in connection with the performance of the Contract; (2) Any claims or losses resulting to any person or entity injured or damaged by the Vendor, its officers, employees, or subcontractors by the publication, translation, reproduction, delivery, performance, use, or disposition of any data used under the Contract in a manner not authorized by the Contract, or by Federal or State statutes or regulations; and (3) Any failure of the Vendor, its officers, employees, or subcontractors to observe State and Federal laws including, but not limited to, labor and wage and hour laws.

**35. NO DEBT CERTIFICATION:** In accordance with West Virginia Code, the State is prohibited from awarding a contract to any bidder that owes a debt to the State or a Political subdivision of the State. By submitting a bid, or entering into a contract with the State, Vendor is affirming that (1) for construction contracts, the vendor is not in default on any monetary obligation owed to the State or a Political subdivision of the state, and (2) for all other contracts, that neither vendor nor any related party owe a debt as defined above and that neither Vendor nor any related party are in employer default as defined in the statute cited above unless the debt or employer default is permitted under the statute.

**36. CONFLICT OF INTEREST:** Vendor, its officers or members or employees, shall not presently have or acquire an interest, direct or indirect, which would conflict with or compromise the performance of its obligations hereunder. Vendor shall periodically inquire of its officers, members, and employees to ensure that a conflict of interest does not arise. Any conflict of interest discovered shall be promptly presented in detail to the Agency.

**37. REPORTS:** Vendor shall provide the Agency with the following reports identified by a checked box below:

Such reports as the Agency may request. Requested reports may include, but are not limited to, quantities purchased, agencies utilizing the contract, total contract expenditures by agency, etc.

Quarterly reports detailing the total quantity of purchases in units and dollars, along with a listing of purchases by agency. Quarterly reports should be delivered to the Agency.

**38. BACKGROUND CHECK:** In accordance with W. Va. Code § 15-2D-3, the State reserves the right to prohibit a service provider's employees from accessing sensitive or critical information or to be present at the Capital complex based upon results addressed from a criminal background check. The service provider is responsible for any costs associated with the fingerprint based state and federal background inquiry. Upon award the service provider shall submit a list of all persons who will be physically present and working at the Capitol complex to the Director of the Division of Protective Services for purposes of verifying compliance with this provision. The State reserves the right to prohibit a service provider's employees from accessing sensitive or critical information or to be present at the Capitol complex based upon results addressed from a criminal background check. Service providers should contact the West Virginia Division of Protective Services by phone at (304) 558-9911 for more information.

**DESIGNATED CONTACT: Vendor appoints the individual identified in this Section as the Contract Administrator and the initial point of contact for matters relating to this Contract.**

\_\_\_\_\_  
(Name, Title)

\_\_\_\_\_  
(Printed Name and Title)

\_\_\_\_\_  
(Address)

\_\_\_\_\_  
(Phone Number) / (Fax Number)

\_\_\_\_\_  
(E-mail address)

Katherine Lebronzou. Sales

845-414-2402 / 845-352-2700

gitzis@culinarydepot.com

**CERTIFICATION AND SIGNATURE:** By signing below, or submitting documentation through wvOASIS, I certify that I have reviewed this Solicitation in its entirety; that I understand the requirements, terms and conditions, and other information contained herein; that this bid, offer or proposal constitutes an offer to the State that cannot be unilaterally withdrawn; that the product or service proposed meets the mandatory requirements contained in the Solicitation for that product or service, unless otherwise stated herein; that the Vendor accepts the terms and conditions contained in the Solicitation, unless otherwise stated herein; that I am submitting this bid, offer or proposal for review and consideration; that I am authorized by the vendor to execute and submit this bid, offer, or proposal, or any documents related thereto on vendor's behalf; that I am authorized to bind the vendor in a contractual relationship; and that to the best of my knowledge, the vendor has properly registered with any State agency that may require registration.

By signing below, I further certify that I understand that this Contract is subject to the provisions of West Virginia code and rules and applicable adopted procedures; therefore, purchases and contracts violating West Virginia Code and rules are void and of no effect.

(Company) Chefs Depot

(Authorized Signature) Representative Name Title

Katherine Lebron Katherine Lebronzou. Sales

(Printed Name & Title of Authorized Representative)

(Date)

12/11/24

(Phone Number) (Fax Number)

845-414-2402 / 845-352-2700

## ADDENDUM ACKNOWLEDGEMENT FORM

### SOLICITATION NO.:

Instructions: Please acknowledge receipt of all addenda issued with this solicitation by completing this addendum acknowledgment form. Check the box next to each addendum received and sign below. Failure to acknowledge addenda may result in bid disqualification. Acknowledgment: I hereby acknowledge receipt of the following addenda and have made the necessary revisions to my proposal, plans and/or specification, etc.

Addendum Numbers Received:

*(Check the box next to each addendum received)*

- |   |  |
|---|--|
| <input type="checkbox"/> Addendum No. 1 | <input type="checkbox"/> Addendum No. 6  |
| <input type="checkbox"/> Addendum No. 2 | <input type="checkbox"/> Addendum No. 7  |
| <input type="checkbox"/> Addendum No. 3 | <input type="checkbox"/> Addendum No. 8  |
| <input type="checkbox"/> Addendum No. 4 | <input type="checkbox"/> Addendum No. 9  |
| <input type="checkbox"/> Addendum No. 5 | <input type="checkbox"/> Addendum No. 10 |

I understand that failure to confirm the receipt of addenda may be cause for rejection of this bid. I further understand that any verbal representation made or assumed to be made during any oral discussion held between Vendor's representatives and any state personnel is not binding. Only the information issued in writing and added to the specifications by an official addendum is binding.

Chefs Depot

Company

Katherine Yelbron  
Authorized Signature

12/11/24  
Date

NOTE: This addendum acknowledgment should be submitted with the bid to expedite document processing.

REQUEST FOR QUOTATION  
ARFQ DCR250000063  
New Groen FT-80 Steam Kettle, Groen FT-40 Steam Kettle and Crown Pressure Steamer  
DC-3 or equal

---

**SPECIFICATIONS**

1. **PURPOSE AND SCOPE:** The West Virginia Division of Administrative Services is soliciting bids on behalf of the West Virginia Division of Corrections and Rehabilitation, Huttonsville Correctional Center & Jail to establish a contract for the one-time purchase of **Kitchen Equipment or equal.**
  
2. **DEFINITIONS:** The terms listed below shall have the meanings assigned to them below. Additional definitions can be found in section 2 of the General Terms and Conditions.
  - 2.1 **“Contract Item”** means the list of items as identified in Section 3.1 below and on the pricing page.
  
  - 2.2 **“Pricing Page”** means the page, contained in wvOASIS or attached as Exhibit A, upon which Vendor should list its proposed price for the Contract Items.
  
  - 2.3 **“Solicitation”** means the official notice of an opportunity to supply the State with goods or services that is published by the Division of Administrative Services.
  
3. **GENERAL REQUIREMENTS:**
  - 3.1 **Mandatory Contract Item Requirements:** Contract Item must meet or exceed the mandatory requirements listed below.
    - 3.1.1 **One New Groen FT-80, 80-gallon Steam Kettle – Stationary, 2/3 Jacket Direct Steam or equal**
      - 3.1.1.1. **Steam Kettle** must be new.
      - 3.1.1.2. **Steam Kettle** must have a minimum of 316 stainless steel liner
      - 3.1.1.3. **Steam Kettle** must have a minimum of 2” sanitary tangent draw-off
      - 3.1.1.4. **Steam Kettle** must have a drain outlet equipped with a minimum of removable ¼” perforated stainless steel strainer.
      - 3.1.1.5. **Steam Kettle** must be able to operate dependably at any steam pressure between a minimum of 5 and 25 PSI
      - 3.1.1.6. **Steam Kettle** must be of the following minimum dimensions: 43” height x 36” width x 38” depth.



REQUEST FOR QUOTATION

ARFQ DCR250000063

New Groen FT-80 Steam Kettle, Groen FT-40 Steam Kettle and Crown Pressure Steamer  
DC-3 or equal

---

**3.1.1.7. Steam Kettle** must come with a minimum warranty of 1-year parts and labor and minimum 10-year hemisphere warranty, standard.

**3.1.1.8. Steam Kettle** must come with a minimum of 5-gallon increment etch marks.

**3.1.1.9. Steam Kettle** must come with a minimum of Z019653 Faucet, single pantry with swing spout.

**3.1.1.10. Steam Kettle** must come with a minimum of 119374 adjustable flanged foot

**3.1.1.11. Steam Kettle** must be compatible with a prison setting:

- **Steam Kettle** Must have welded construction with tamper resistant screws where applicable.
- **Steam Kettle** Must have hinged control cover with hasp style lock assembly
- **Steam Kettle** must have a welded handle in lieu of standard
- **Steam Kettle's** TDO must be welded in place to prevent breakage.
- **Steam Kettle** must have a plunger that is tethered in place.

**3.1.1.12. Steam Kettle** must have a minimum total weight of 252 lbs.

**3.1.2 One New Groen FT-40, 40-gallon Steam Kettle – Stationary 2/3 Jacket Direct Steam or equal**

**3.1.2.1. Steam Kettle** must be new.

**3.1.2.2. Steam Kettle** must have a minimum of 316 stainless steel liner

**3.1.2.3. Steam Kettle** must have a minimum of 2" sanitary tangent draw-off

**3.1.2.4. Steam Kettle** must have a drain outlet equipped with a minimum of removable ¼" perforated stainless steel strainer.

**3.1.2.5. Steam Kettle** must be able to operate dependably at any steam pressure between a minimum of 5 and 25 PSI

**3.1.2.6. Steam Kettle** must be of the following minimum dimensions: 36" height x 30" width x 33" depth

**3.1.2.7. Steam Kettle** must come with a minimum warranty of 1-year parts and labor and minimum 10-year hemisphere warranty, standard.



**REQUEST FOR QUOTATION**  
**ARFQ DCR250000063**  
**New Groen FT-80 Steam Kettle, Groen FT-40 Steam Kettle and Crown Pressure Steamer**  
**DC-3 or equal**

---

**3.1.2.8. Steam Kettle** must come with a minimum of 4-gallon increment etch marks.

**3.1.2.9. Steam Kettle** must come with a minimum of Z019653 Faucet, single pantry with swing spout.

**3.1.2.10. Steam Kettle** must come with a minimum of 119374 adjustable flanged foot

**3.1.2.11. Steam Kettle** must be compatible with a prison setting:

Steam Kettle Must have welded construction with tamper resistant screws where applicable.

Steam Kettle Must have hinged control cover with hasp style lock assembly

Steam Kettle must have a welded handle in lieu of standard

Steam Kettle's TDO must be welded in place to prevent breakage.

Steam Kettle must have a plunger that is tethered in place.

**3.1.2.12. Steam Kettle** must have a minimum of total weight of 252 lbs.

**3.1.3 One New Crown Steam DC-3 Direct Steam Pressure Steamer Full Size Pan Capacity or equal**

**3.1.3.1. Pressure Steamer** must have a minimum of three compartments.

**3.1.3.2. Pressure Steamer** must have a minimum of 36" cabinet base.

**3.1.3.3. Pressure Steamer** must have independent automatic timer controls with visible and audible signals.

**3.1.3.4. Pressure Steamer** must have an automatic shut-off.

**3.1.3.4. Pressure Steamer** must be of a minimum of 304 stainless steel construction.

**3.1.3.5. Pressure Steamer** must have a minimum of 4 stainless steel legs with adjustable flanged feet.

**3.1.3.6. Pressure Steamer** must have the following minimum dimensions: 68" height x 36" width x 33.88" depth.

**3.1.3.7. Pressure Steamer** must come with a minimum of 1-year limited warranty.

**3.1.3.8. Pressure Steamer** must operate dependably at a minimum of 35 PSI standard.

**3.1.3.9. Pressure Steamer's** cabinet door must have a locking provision.

**3.1.3.10. Pressure Steamer** must have correctional screws and tack welds

REQUEST FOR QUOTATION  
ARFQ DCR250000063  
New Groen FT-80 Steam Kettle, Groen FT-40 Steam Kettle and Crown Pressure Steamer  
DC-3 or equal

---

where applicable.

**3.1.3.11. Pressure steamer** must have steel hinged covers over the control panel with locking provision.

**4. CONTRACT AWARD:**

**4.1 Contract Award:** The Contract is intended to provide Agencies with a purchase price for the Contract Items. The Contract shall be awarded to the Vendor that provides the Contract Items meeting the required specifications for the lowest overall total cost as shown on the Pricing Pages.

**4.2 Pricing Page:** Vendor should complete the Pricing Page by inserting a unit price, multiplied by the indicated quantity to arrive at an extended price. Vendor should complete the Pricing Page in full as failure to complete the Pricing Page in its entirety may result in Vendor's bid being disqualified.

Vendor should type or electronically enter the information into the Pricing Page to prevent errors in the evaluation. In most cases, the Vendor can request an electronic copy of the Pricing Pages for bid purposed by sending an email request to the following address: [wassef.maazaoui@wv.gov](mailto:wassef.maazaoui@wv.gov).

**4.3 Confidentiality Policies and Information Security Accountability:** Vendor agrees to adhere to the Confidentiality Policies and Information Security Accountability Requirements Which can be found at: <https://www.state.wv.us/admin/purchase/privacy/> At the Agencies discretion, the Agency can require the Vendor and its employees to execute the Confidentiality Agreement.

**5. PAYMENT:**

**5.1 Payment:** Vendor shall accept payment in accordance with the payment procedures of the State of West Virginia.

REQUEST FOR QUOTATION  
ARFQ DCR250000063  
New Groen FT-80 Steam Kettle, Groen FT-40 Steam Kettle and Crown Pressure Steamer  
DC-3 or equal

---

**6. DELIVERY AND RETURN:**

- 6.1 Shipment and Delivery:** Vendor shall ship the Contract Items immediately after being awarded this Contract and receiving a purchase order or notice to proceed. Vendor shall deliver the Contract Items within 30 working days after receiving a purchase order or notice to proceed. Contract Items must be delivered to Agency at 109 HCC Blvd., Huttonsville, WV 26273.
- 6.2 Late Delivery:** The Agency placing the order under this Contract must be notified in writing if the shipment of the Contract Items will be delayed for any reason. Any delay in delivery that could cause harm to an Agency will be grounds for cancellation of the Contract, and/or obtaining the Contract Items from a third party.
- Any Agency seeking to obtain the Contract Items from a third party under this provision must first obtain approval of the Division of Administrative Services.
- 6.3 Delivery Payment/Risk of Loss:** Vendor shall deliver the Contract Items F.O.B. destination to the Agency's location.
- 6.4 Return of Unacceptable Items:** If the Agency deems the Contract Items to be unacceptable, the Contract Items shall be returned to Vendor at Vendor's expense and with no restocking charge. Vendor shall either make arrangements for the return within five (5) days of being notified that items are unacceptable or permit the Agency to arrange for the return and reimburse Agency for delivery expenses. If the original packaging cannot be utilized for the return, Vendor will supply the Agency with appropriate return packaging upon request. All returns of unacceptable items shall be F.O.B. the Agency's location. The returned product shall either be replaced, or the Agency shall receive a full credit or refund for the purchase price, at the Agency's discretion.
- 6.5 Return Due to Agency Error:** Items ordered in error by the Agency will be returned for credit within 30 days of receipt, F.O.B. Vendor's location. Vendor shall not charge a restocking fee if returned products are in a resalable condition. Items shall be deemed to be in a resalable condition if they are unused and in the original packaging. Any restocking fee for items not in a resalable condition shall be the lower of the Vendor's customary restocking fee or 5% of the total invoiced value of the returned items.

REQUEST FOR QUOTATION  
ARFQ DCR250000063  
New Groen FT-80 Steam Kettle, Groen FT-40 Steam Kettle and Crown Pressure Steamer  
DC-3 or equal

---

7 VENDOR DEFAULT:

7.1 The following shall be considered a vendor default under this Contract.

- 7.1.1 Failure to provide Contract Items in accordance with the requirements contained herein.
- 7.1.2 Failure to comply with other specifications and requirements contained herein.
- 7.1.3 Failure to comply with any laws, rules, and ordinances applicable to the Contract Services provided under this Contract.
- 7.1.4 Failure to remedy deficient performance upon request.

7.2 The following remedies shall be available to Agency upon default.

- 7.2.1 Immediate cancellation of the Contract.
- 7.2.2 Immediate cancellation of one or more release orders issued under this Contract.
- 7.2.3 Any other remedies available in law or equity.

8 MISCELLANEOUS:

**1.1 No Substitutions:** Vendor shall supply only Contract Items submitted in response to the Solicitation unless a contract modification is approved in accordance with the provisions contained in this Contract.

**1.2 Vendor Supply:** Vendor must carry sufficient inventory of the Contract Items being offered to fulfill its obligations under this Contract. By signing its bid, Vendor certifies that it can supply the Contract Items contained in its bid response.

REQUEST FOR QUOTATION

ARFQ DCR250000063

New Groen FT-80 Steam Kettle, Groen FT-40 Steam Kettle and Crown Pressure Steamer  
DC-3 or equal

---

**1.3 Reports:** Vendor shall provide quarterly reports and annual summaries to the Agency showing the Agency's items purchased, quantities of items purchased, and total dollar value of the items purchased. Vendor shall also provide reports, upon request, showing the items purchased during the term of this Contract, the quantity purchased for each of those items, and the total value of purchases for each of those items. Failure to supply such reports may be grounds for cancellation of this Contract.

**1.4 Contract Manager:** During its performance of this Contract, Vendor must designate and maintain a primary contract manager responsible for overseeing Vendor's responsibilities under this Contract. The Contract manager must be available during normal business hours to address any customer service or other issues related to this Contract. Vendor should list its Contract manager and his or her contact information below.

Contract Manager: Yitza Shaps  
Telephone Number: 845-414-7402  
Fax Number: 845-352-7400  
Email Address: yitza@colimacydept.com







# Quote

12/11/2024

**Project:**  
ARFQ DCR250000063 West  
Virginia

**From:**  
Culinary Depot  
Katherine Lebron  
67 Route 59  
Spring Valley, NY 10977  
(888) 845-8200

Project Code: KL598109

Item	Qty	Description	Sell	Sell Total
1	1 ea	<b>KETTLE, DIRECT STEAM, STATIONARY</b>  Groen Model No. FT-80 Kettle, direct steam, 80-gallon capacity, 2/3 jacket, 316 stainless steel liner, 2" TDO, 1/4" perforated strainer, tri-leg open base, stainless steel construction, flanged feet, power aid cover, 25 PSI	\$16,025.85	\$16,025.85
	1 ea	(1) year parts & labor, (10) year hemisphere warranty, standard		
	1 ea	2" Tangent draw-off (TDO), standard		
	1 ea	Etch Marks, 5 gallon increments	\$627.75	\$627.75
	1 ea	Z019653 Faucet, single pantry, with swing spout	\$417.15	\$417.15
	1 ea	119374 Adjustable Flanged Foot, for stationary kettles	\$522.45	\$522.45
	1 ea	Prison Package, contact factory for lead time phone 888-994-7636	\$1,996.65	\$1,996.65
		<b>ITEM TOTAL:</b>		<b>\$19,589.85</b>
2	1 ea	<b>KETTLE, DIRECT STEAM, STATIONARY</b>  Groen Model No. FT-40 Kettle, direct steam, 40-gallon capacity, 2/3 jacket, 316 stainless steel liner, 2" TDO, 1/4" perforated strainer, tri-leg open base, stainless steel construction, flanged feet, hinged cover, 25 PSI	\$12,214.80	\$12,214.80
	1 ea	(1) year parts & labor, (10) year hemisphere warranty, standard		
	1 ea	2" Tangent draw-off (TDO), standard		
	1 ea	Etch Marks, 4 gallon increments	\$627.75	\$627.75
	1 ea	Z019653 Faucet, single pantry, with swing spout	\$417.15	\$417.15
	1 ea	119374 Adjustable Flanged Foot, for stationary kettles	\$522.45	\$522.45
	1 ea	Prison Package, contact factory for lead time phone 888-994-7636	\$1,996.65	\$1,996.65
		<b>ITEM TOTAL:</b>		<b>\$15,778.80</b>

Item	Qty	Description	Sell	Sell Total
3	1 ea	<b>STEAMER, PRESSURE, DIRECT STEAM</b> Crown (Middleby) Model No. DC-3 Steamer, direct steam, pressure-type, (3) compartments, 36" cabinet base, independent automatic timer controls with visible and audible signals, automatic shut-off, 304 stainless steel construction, (4) stainless steel legs with adjustable flanged feet, cCSAus, NSF	\$22,572.00	\$22,572.00
	1 ea	Standard one year limited warranty		
	1 ea	115v/60/1-ph, standard		
	1 ea	35 PSI std		
	1 ea	Cabinet base door with locking provision (lock not supplied)	\$246.79	\$246.79
	1 ea	Correctional screws & tack welds (where applicable)	\$382.22	\$382.22
	1 ea	Stainless steel hinged cover over control panel with locking provisions	\$1,469.44	\$1,469.44
			<b>ITEM TOTAL:</b>	<b>\$24,670.45</b>
			Total	\$60,039.10

Prices Good Until: 01/10/2025



# DIRECT STEAM KETTLE

## MODEL FT

Kettle shall be a Groen Model FT (Specify 20, 40, 60, 80, 100, 125 or 150-gallon) stainless steel, 2/3 steam jacketed unit operating from direct steam.

**CONSTRUCTION:** Kettle shall be of type 316 stainless steel, with solid one-piece welded construction. Unit shall be provided with a heavy, durable bar rim with a continuous seal weld on the underside to ensure maximum durability and sanitation. Unit provided with faucet bracket as standard.

**FINISH:** Interior of kettle shall be polished to a 180 emery grit finish. Exterior of kettle shall be finished to a bright high buff finish, ensuring maximum ease in cleaning and maintaining brilliant appearance.

**ASME CODE:** Unit shall be ASME shop-inspected, stamped and registered with the National Board for operation up to a maximum working pressure of 25 PSI.

**SANITATION:** Unit shall be designed and constructed to be NSF-listed, meeting NSF and all known health department and sanitation codes.

**DRAWOFF:** Unit shall have a 2" sanitary tangent drawoff which is a 316 stainless steel compression disc drain valve, for easy disassembly without tools. Larger 3" drawoff available. The drain outlet shall be equipped with a removable 1/4" perforated stainless steel strainer.

**COVER:** Cover shall be one piece stainless steel dome shaped and hinged. Counterbalanced #51 spring assisted cover for 60, 80, 100, 125 and 150 gallon units.

**STEAM PRESSURE:** Kettle shall operate dependably at any steam pressure between 5 and 25 PSI. Higher working pressures available.

**MOUNTING:** Unit shall be mounted on an all stainless steel, tubular legs, continuously welded to kettle, with stainless steel adjustable floor flanges. Floor flanges and mounting bolts shall be provided with sanitary covers.

**INSTALLATION:** Remote steam source required. Steam trap assembly is required and not provided unless ordered as an option. See dimension L on other side for steam inlet size and number.

**ORIGIN OF MANUFACTURE:** Designed and manufactured in the United States.

PROJECT NAME:

LOCATION:

ITEM NO:

QTY:

MODEL NO:

AIA NO:

SIS NO:

**SHORT FORM:** Stainless Steel 2/3 Steam Jacketed Kettle, Floor Mounted, Stationary, Direct Steam, 20 to 150-gallon capacities. (model FT shown)

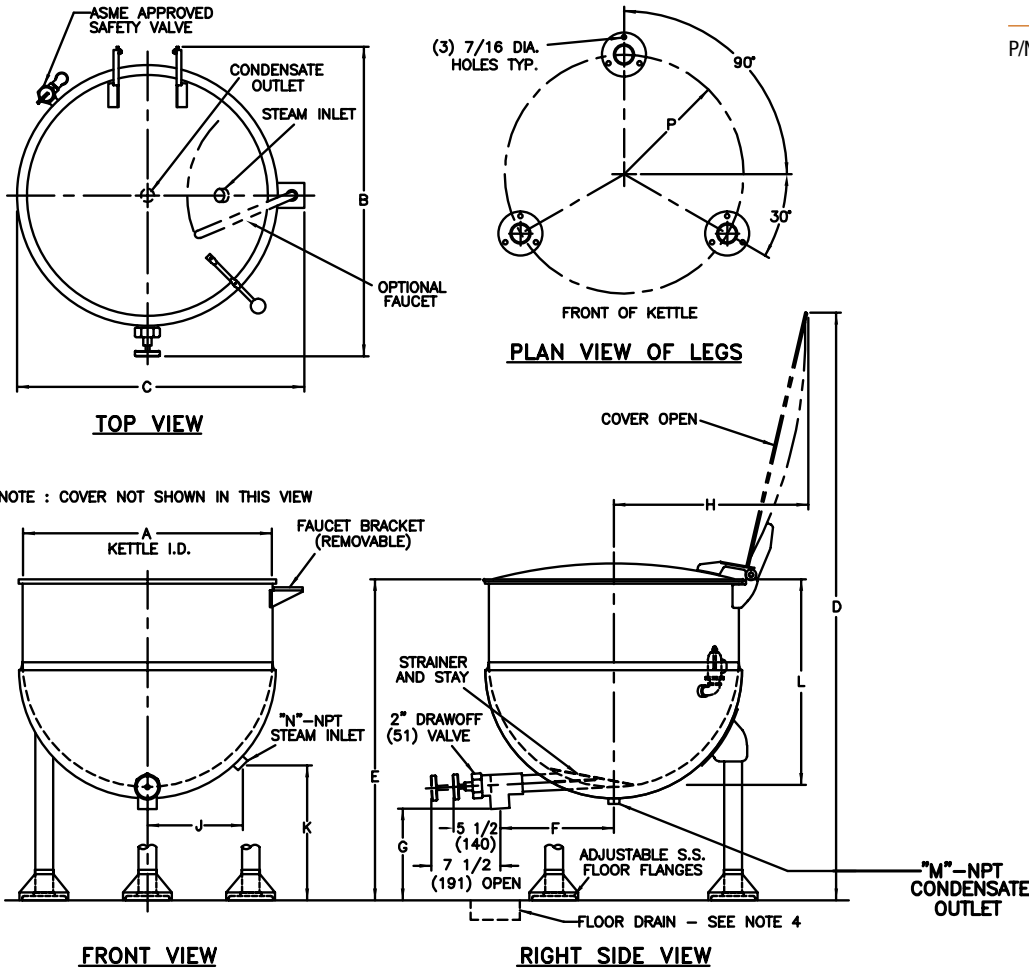


### OPTIONS/ACCESSORIES:

- Basket inserts (TRI-BC)
- Water fill faucets
- Higher working pressure
- 3" tangent drawoff
- Cold water cooling
- Steam trap assemblies
- Kettle brush kit
- 1/8" perforated disc strainer
- 1/4" perforated disk strainer
- Solid disc strainer
- Steam regulators
- Contour measuring strip
- Gallon etch marks

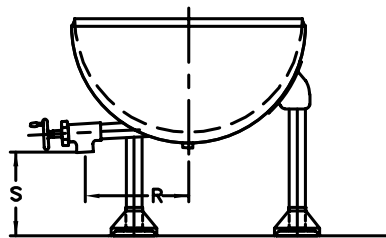


P/N 123001 REV B



**NOTES:**

1. KETTLE MUST BE SECURELY ANCHORED TO FLOOR. FLOOR FLANGES ARE THREADED AND HEIGHT ADJUSTABLE.
2. SANITARY (1) PIECE DOME COVER SHOWN - FURNISHED ON 20 & 40 GALLON SIZES.
3. MODEL # 51 COUNTER BALANCED COVER FURNISHED ON KETTLES 60 GALLONS AND OVER.
4. POSITION CENTER OF TANGENT DRAWOFF SPOUT 4"-5" OVER FLOOR DRAIN FOR PROPER DRAINAGE.
5. DIMENSIONS IN BRACKETS ( ) ARE MM.



**OPTIONAL 3"  
TANGENT DRAWOFF**

		TABLE OF DIMENSIONS									
CAP. GAL.		20		40		60		80		100	
DIM.	INCH	MM	INCH	MM	INCH	MM	INCH	MM	INCH	MM	
A	20	508	26	660	30	762	32	813	36	914	
B	27 1/2	699	33	838	37	940	38	965	40	1016	
C	24	610	30	762	34	864	36	914	40	1016	
D	59	1499	65	1651	67	1702	73	1854	77	1956	
E	36	914	36	914	39	991	43	1092	44	1118	
F	12	305	14 1/2	368	15	381	15	381	15	381	
G	15 3/4	400	11 3/4	299	11 3/4	299	11 3/4	299	11 3/4	299	
H	18	457	25	635	-	-	-	-	-	-	
J	8	203	10 1/4	260	11 1/2	292	12 1/4	311	13 1/2	343	
K	18 7/8	479	15 3/4	400	16 1/4	413	16 1/2	419	17 1/2	445	
L	18 1/2	470	22	559	25	635	29	734	30	762	
M	1/2	-	1/2	-	1/2	-	3/4	-	3/4	-	
N	1/2	-	3/4	-	3/4	-	1	-	1	-	
P	9 1/4	235	11 3/4	299	13 1/2	343	14 1/4	362	15 7/8	403	
R	14	356	16	406	17	432	17	432	17	432	
S	14 3/4	375	10 3/4	273	10 3/4	273	10 3/4	273	10 3/4	273	



# DIRECT STEAM COMPARTMENT COOKER WITH CABINET BASE



- DC-2
- DC-3

### OPERATION SHALL BE BY:

Direct non-toxic steam incoming at a minimum of 15 psi (103 kPa) with a flow of 150 psi (68kg) per hour.

A pressure reducing valve shall provide compartment pressure of 6 psi (41 kPa) and a control system is provided to cool the condensate drain.

The control shall be equipped for operate on 115 VAC, 1 Phase 60 Hz.

### OPTIONS & ACCESSORIES AT ADDITIONAL COST

- |  |  |
|--|--|
| <input type="checkbox"/> 220 VAC, 1 Phase, 60 Hz (DBVS-1)    | <input type="checkbox"/> Wire shelf rack (SSR-PC)                |
| <input type="checkbox"/> Stainless steel rear panel (SSB-36) | <input type="checkbox"/> Ball float trap (BFT)                   |
| <input type="checkbox"/> Stainless steel frame (SSF-36)      | <input type="checkbox"/> Spray and rinse assembly                |
| <input type="checkbox"/> Correctional package                | <input type="checkbox"/> Sheet pan supports (SPS-PC1 or SPS-PC2) |

### STANDARD CONSTRUCTION SPECIFICATIONS

Shall be a Crown Model DC-2 or DC-3, pressure compartment cooker, operating on direct steam.

The cooker shall be constructed of all-welded type 304 #4 finished stainless steel.

The doors shall have a removable inner liner of aluminum plate with full perimeter gasket seal, an outer shell of one piece welded stainless steel, and a wheel-and-screw closing mechanism.

The doors, with a clear opening of 10-1/4" x 26-3/8" (260 mm x 670 mm) shall latch upon closing and open 180 degrees upon latch release. Compartment operation shall be at a maximum pressure of 6 psi (41 kPa).

Each compartment shall be provided with universal pan supports.

Each optional sliding shelf will support two full size (1/1 gastronorm) pans.

The control housing shall be constructed of #4 finish stainless steel with a full-access removable panel.

Each compartment shall be independently controlled by an automatic timer control with visible and audible signals.

At the end of the cooking cycle, the controls automatically shut off and exhaust the incoming steam, drain the condensate from the compartment, and sounds a continuous audible signal until turned off manually.

The compartment cooker shall be mounted on a cabinet base with full perimeter angle frame.

Thermostatically controlled cold water shall automatically condensate exhausted steam into water before releasing it to the drain.

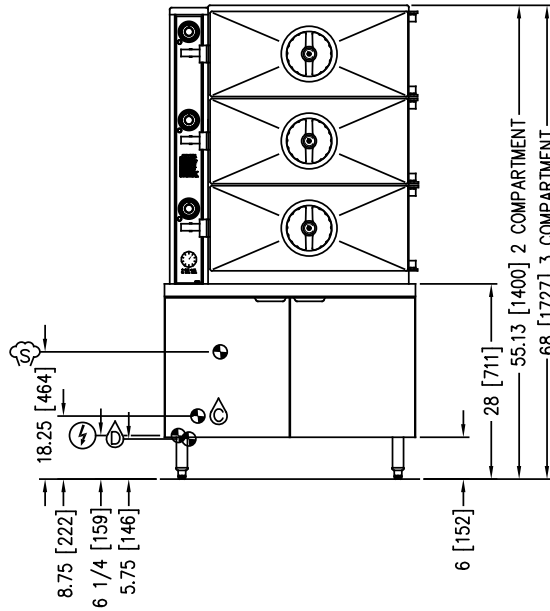
The cabinet shall be all stainless steel #4 finish type 304, hinged doors and 6" (152mm) stainless steel legs fitted with 4 adjustable flanged feet for mounting to the floor.



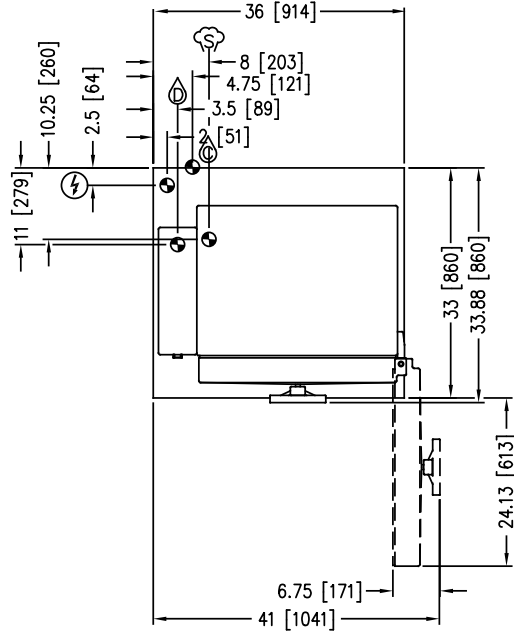
Approval Notes: \_\_\_\_\_

\_\_\_\_\_





**REAR FLANGED FOOT DETAIL**  
 2 EQUALLY SPACED  
 Ø7/16" [11mm] HOLES  
 ON 2.5" [63mm] B.C.



IN [mm]

3146R3

**SERVICE CONNECTIONS**

- COLD WATER: 3/8" O.D. tubing at 25-50 PSI (170 - 345 kPa).
- DRAIN: 2" (51 mm) IPS piped to open floor drain. No solid connection.
- ELECTRICAL CONNECTION: Unless otherwise specified, field wiring electrical connection to be 120V, 60 Hz, 1 Phase with ground.
- STEAM SUPPLY: 3/4" (19 mm) female pipe connection for steam supply 15-50 PSI (103-345 kPa)\*

\* Pressure reducing valve is required if incoming pressure exceeds 50 PSI (345 kPa)

**COMPARTMENT PAN CAPACITY**

MODEL	COMPARTMENTS	CAPACITY
DC-2	2	8-16 Pans
DC-3	3	12-24 Pans

**INTENDED FOR COMMERCIAL USE ONLY.  
 NOT FOR HOUSEHOLD USE.**

